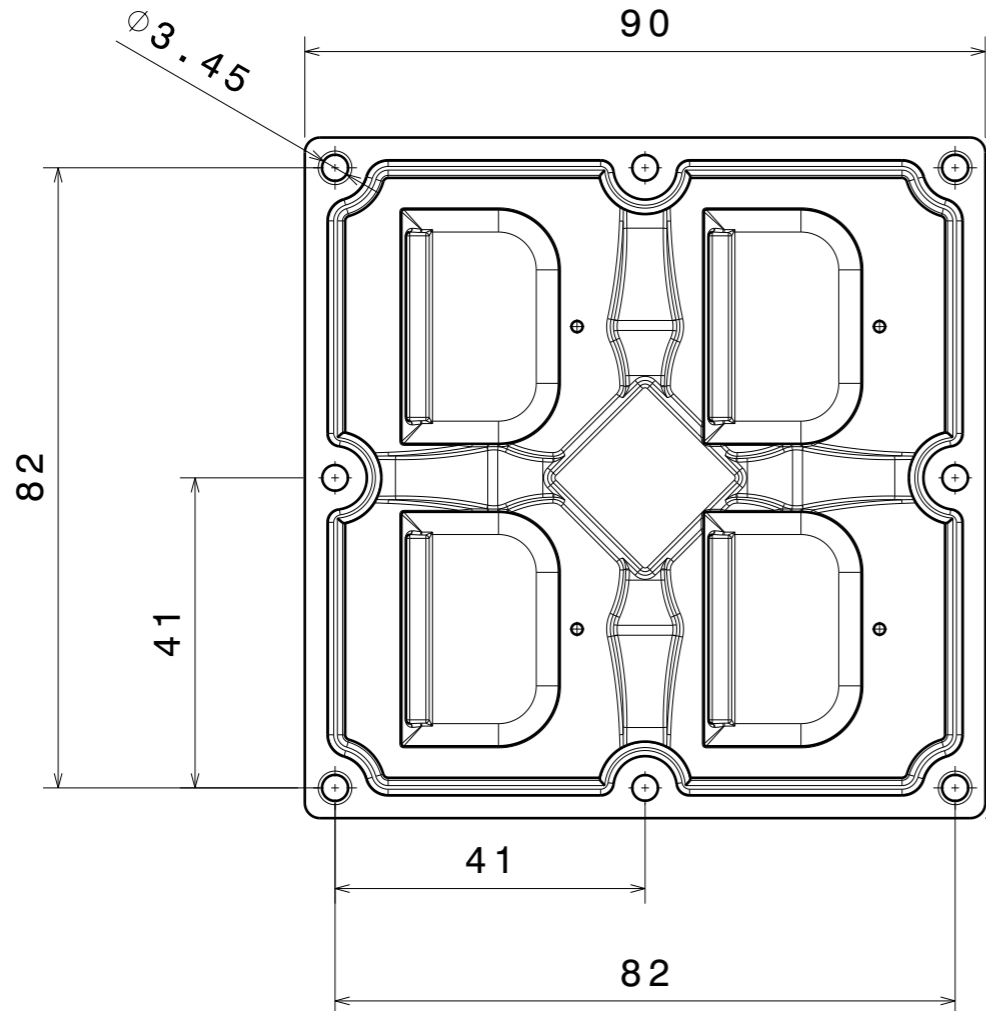
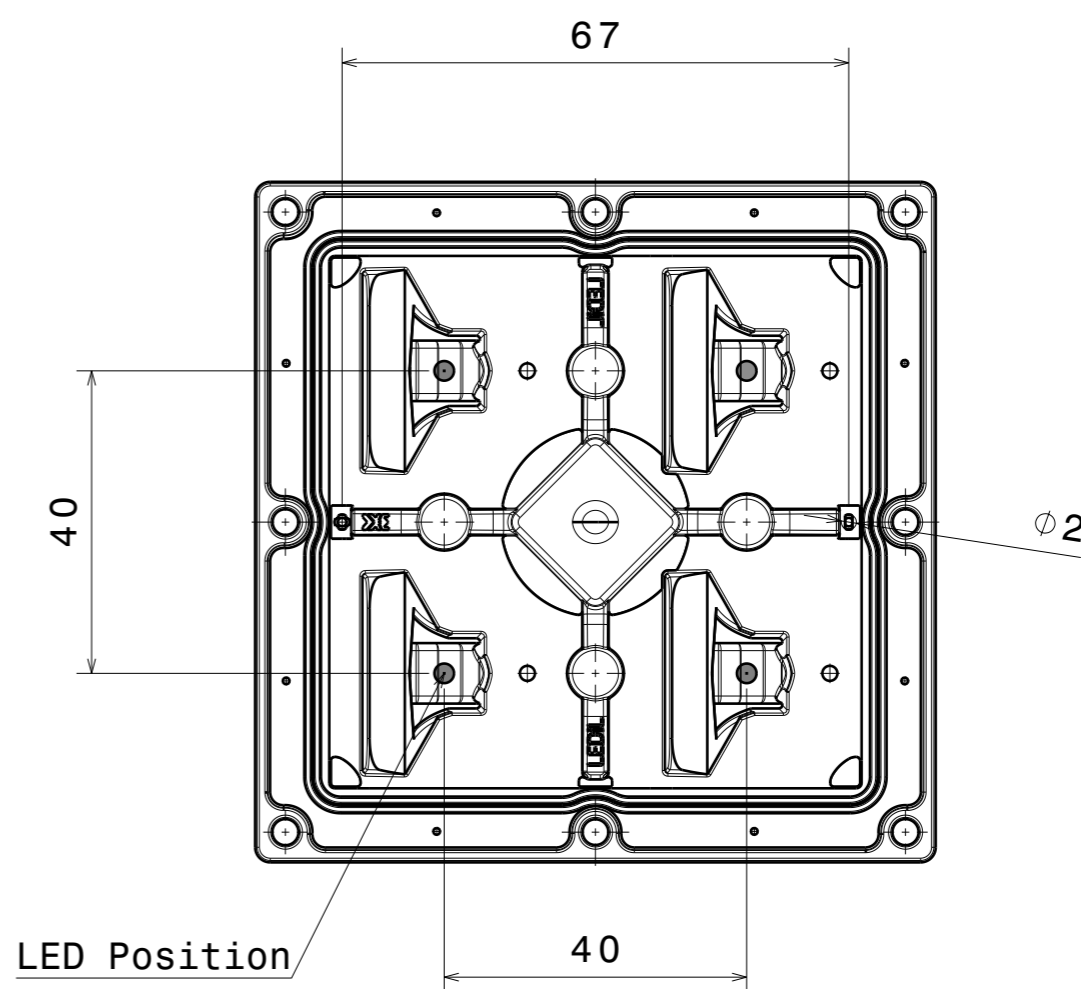


Bottom view

Beam direction



Top view



LED Position

Bottom view

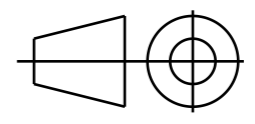
PART	TYPE	MATERIAL	COLOR / COATING
CS15771_STRADA-2X2MX-8-T2		PMMA	

MECHANICAL DRAWING

PRODUCT **STRADA-MAXI**

Plastic moulding general tolerances according to DIN 16901-130 and applies if not otherwise shown in the drawing.
Silicone moulding general tolerances according to ISO 3302-1 Class M3 and applies if not otherwise shown in the drawing.

FIRST ANGLE PROJECTION:



SCALE 1:1

WEIGHT -

LEDiL[®]

This drawing is the property of LEDiL Oy. It may not be copied or otherwise distributed without prior written permission from LEDiL Oy.

A3 SHEET 1/1